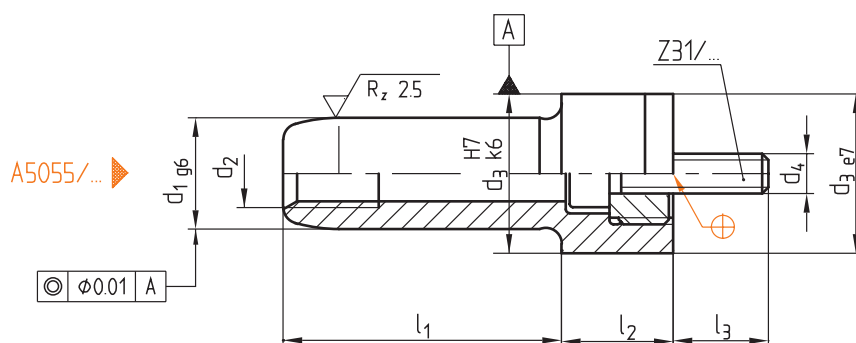


Z014/...

Mat.: ≈ 1.0401/690 + 70 HV 30



				∅				∅		
d ₂	d ₄	l ₃	l ₂	d ₁	l ₁	d ₃	Nr./No.	d ₁	Nr./No.	
M 6	M 5	12	14	14	35	20	Z014/14x35/20	15	Z014/15x35/20	
							45		45	
							55		55	
M 8	M 6	16	16	18	35	26	Z014/18x35/26	20	Z014/20x35/26	
							45		45	
							55		55	
M10	M 8	20	20	22	45	30	Z014/22x45/30	24	Z014/24x45/30	
							55		55	
							65		65	
M12	M10	22	25	30	55	42	Z014/30x55/42	32	Z014/32x55/42	
							75		75	
							95		95	

This is trial version
www.adultpdf.com